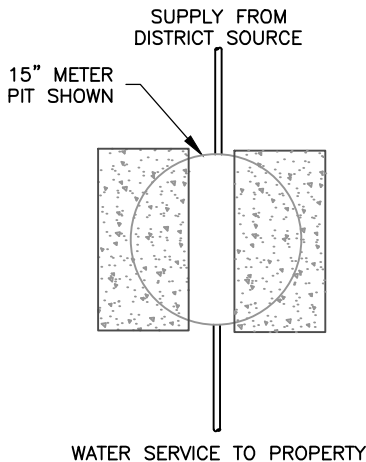
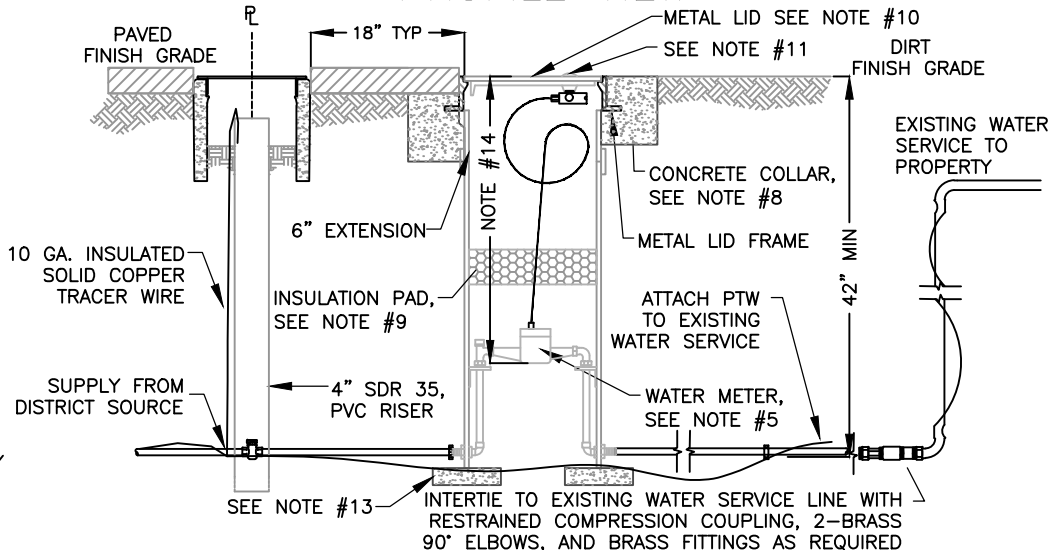


PLAN VIEW



PROFILE VIEW



NOTES:

- 1) METER PITS SHALL BE INSTALLED ON THE CUSTOMER SIDE OF THE PROPERTY LINE, DO NOT INSTALL WATER SERVICE BOX OR METER PITS IN FLOW LINES. MAINTAIN ENOUGH SEPARATION BETWEEN WATER SERVICE BOX AND METER BOX TO ALLOW FOR COMPACTION EQUIPMENT, TYPICALLY EIGHTEEN INCHES (18").
- 2) METER PIT FOR SINGLE THREE QUARTER INCH (3/4") WATER SERVICE SHALL BE MUELLER 15" EZ-SETTER METER PIT, MODEL #250RS1536FABNN OR APPROVED EQUAL.
- 3) FOR DOUBLE 3/4" WATER SERVICE CONTRACTOR SHALL INSTALL ONE MUELLER 15" EZ-SETTER METER PIT PER WATER SERVICE.
- 4) METER PIT FOR ONE INCH (1") WATER SERVICE SHALL BE MUELLER 18" EZ-SETTER METER PIT, MODEL #330RS1836FABNN OR APPROVED EQUAL.
- 5) METER SHALL BE SENSUS "iPERL" TR/PL, REGISTERING IN 1 CUBIC FEET (CF) FOR 3/4" METERS CONTRACTOR SHALL USE A 3/4" SHORT METER WITH A SEVEN AND ONE HALF INCH (7 1/2") LAY LENGTH. FOR 1" METERS CONTRACTOR SHALL USE THE STANDARD TEN AND THREE QUARTER INCHES (10 3/4") LAY LENGTH METER.
- 6) ALL METER PITS SHALL HAVE ONE SIX INCH (6") EXTENSION.
- 7) INLET SIZE SHALL BE AS REQUIRED TO MATCH WATER SERVICE AND METER SIZE.
- 8) METER PITS PLACED IN TRAFFIC OR PARKING AREAS SHALL HAVE A METAL LID FRAME, FRAME SHALL BE SIZED TO MATCH PIT. CONTRACTOR SHALL CONFIRM WITH DISTRICT FOR AVAILABLE FRAMES, PRIOR TO PURCHASE OR INSTALL. CONTRACTOR SHALL PLACE SIX INCH (6") BY EIGHT INCH (8") CONCRETE COLLAR AROUND FRAME. CONCRETE SHALL BE 3,000 PSI MIN. COLLARS INSTALLED IN ASPHALT OR PAVEMENT STONES SHALL BE THREE INCHES (3") BELOW THE ASPHALT. COLLARS UNDER ASPHALT SHALL HAVE A ROUGH SCREED FINISH AND BE TAC COATED PRIOR TO ASPHALT BEING INSTALLED. COLLARS INSTALLED IN DIRT DRIVEWAYS OR DIRT PARKING AREAS SHALL BE INSTALLED FLUSH WITH THE FINISH GRADE, SHALL BE FORMED AND HAVE A ROUGH BROOM FINISH.
- 9) FOUR INCH (4") THICK METER PIT INSULATION PAD BY MUELLER, FORD, MCDONALD OR APPROVED EQUAL, SHALL BE INSTALLED IN THE APPROPRIATE 15" OR 18" DIAMETER TO FIT THE METER PIT.
- 10) ALL METER PITS SHALL HAVE A METAL LID MARKED "WATER METER", LID SHALL BE SIZED TO MATCH PIT. INSTALLATION IN ASPHALT, CONCRETE OR PAVEMENT STONES LIDS SHALL BE 1/2" BELOW FINISH GRADE.
- 11) CONTRACTOR SHALL PROVIDE AND INSTALL A TWO INCH (2") RECESSED HOLE IN LID, TR/PL READER MOUNT AND A SENSUS MXU RADIO READ UNIT, 520M SINGLE PORT.
- 12) ALL BACKFILL AROUND METER PIT, SHALL BE PLACED IN TWELVE INCH (12") LIFTS OF "VIRGIN" CLASS TWO AGGREGATE BASE COMPACTED TO 95% RELATIVE COMPACTION.
- 13) CONTRACTOR SHALL PROVIDE A MINIMUM OF TWO (2) 8"x18"x16" PRECAST SOLID STRUCTURAL SUPPORT BLOCKS CONFORMING TO ASTM C90 PLACED UNDER THE METER PIT.
- 14) CONTRACTOR SHALL MAINTAIN EIGHTEEN INCH (18") MINIMUM TO TWENTY FOUR INCH (24") MAXIMUM FROM THE LID TO THE BOTTOM OF THE METER.

3/4" TO 1" METER—
WITHIN TRAFFIC AREA



NO SCALE

FILE:	DATE:
STANDARDS	MAR 2018
SHEET:	SCALE:
S2-D4	NO SCALE
	DRAWN:
	MAM

WATER SERVICE & METER DETAILS



SOUTH TAHOE PUBLIC UTILITY DISTRICT

Sewer . 1950 . Water A PUBLIC AGENCY
1275 Meadow Crest Drive South Lake Tahoe, California 96150
Phone (530) 544-6474 Fax (530) 541-4319
WWW.STPUD.US