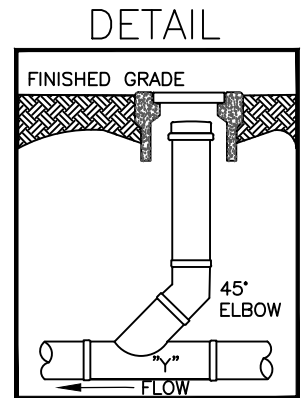
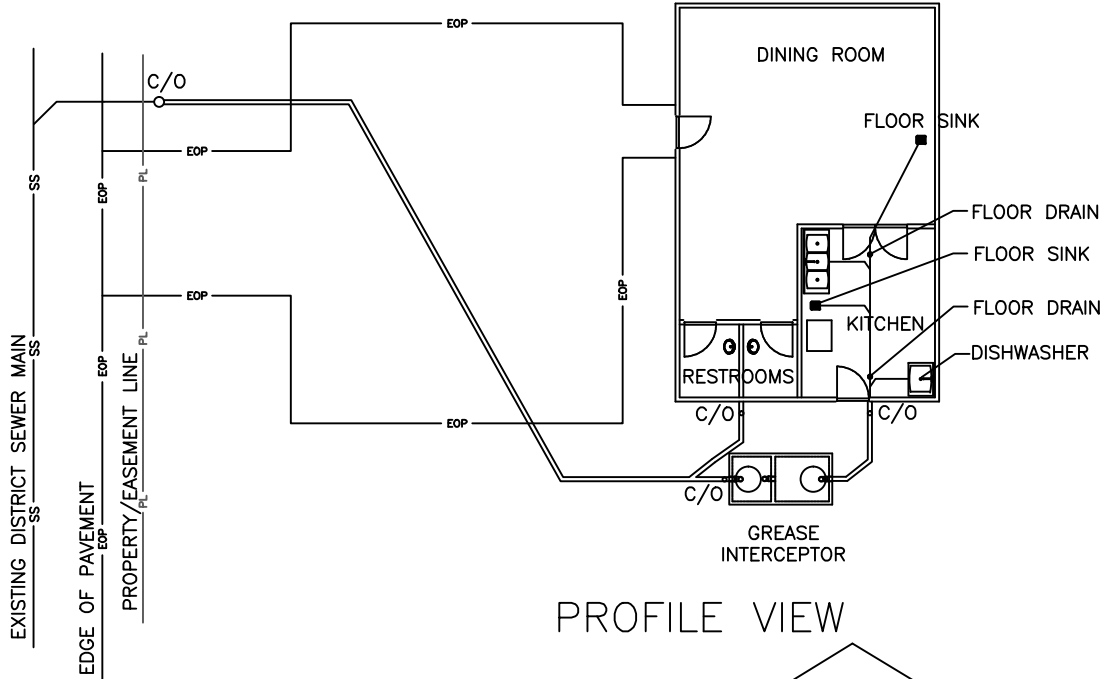
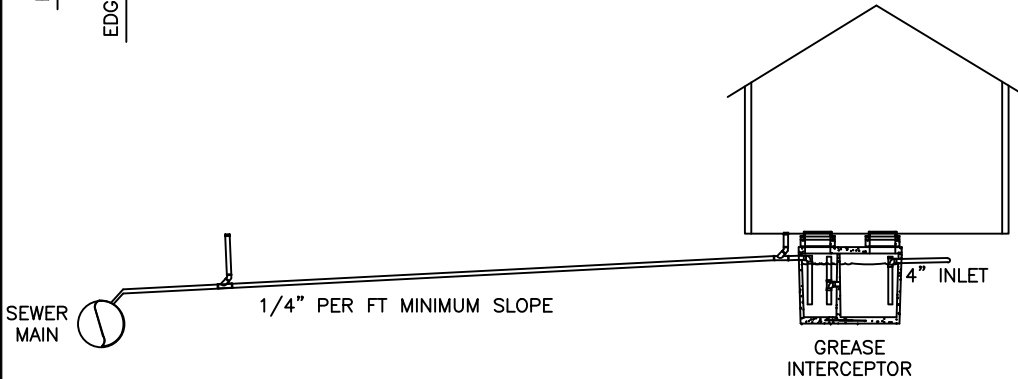


PLAN VIEW



PROFILE VIEW



NOTES:

- 1) GREASE INTERCEPTOR SHOULD BE LOCATED NEAR WASTE SOURCE AND SHALL BE EASILY ACCESSIBLE FOR INSPECTION AND CLEANING.
- 2) MANHOLE COVER SHALL BE METAL MARKED "INTERCEPTOR".
- 3) MANHOLE COVERS SHALL BE SET TO FINISH GRADE USING PRECAST GRADE RINGS. A JOINTING COMPOUND "RAM-NEK" OR APPROVED EQUAL WITH A PRIMER AS RECOMMENDED BY THE MANUFACTURER SHALL BE USED TO CREATE A WATER TIGHT SEAL AT JOINTS TO PRECAST COMPONENTS.
- 4) ALL PIPING IMMEDIATELY OUTSIDE OF THE BUILDING SHALL NOT BE LESS THAN FOUR INCHES (4").
- 5) CLEANOUTS ARE REQUIRED AT BUILDING STUB OUT AND IMMEDIATELY DOWNSTREAM OF THE INTERCEPTOR.
- 6) ALL PIPING INSTALLATION MUST MEET THE CURRENT DISTRICT REQUIREMENT FOR BUILDING SEWER HOOKUP.
- 7) INTERCEPTOR SHALL BE PLACED ON A COMPACTED BASE IF DETERMINED BY THE DISTRICT, FIRM DRY MATERIAL WILL BE REQUIRED.

A
1

GREASE INTERCEPTOR INSTALLATION

NO SCALE

DATE: MAR 2014
 SCALE: NO SCALE
 DRAWN: MAM
 FILE: STANDARDS
 SHEET: S7-D12

SEWER DETAILS



SOUTH TAHOE PUBLIC UTILITY DISTRICT

Sewer . 1950 . Water A PUBLIC AGENCY
 1275 Meadow Crest Drive South Lake Tahoe, California 96150
 Phone (530) 544-6474 Fax (530) 541-4319
 WWW.STPUD.US