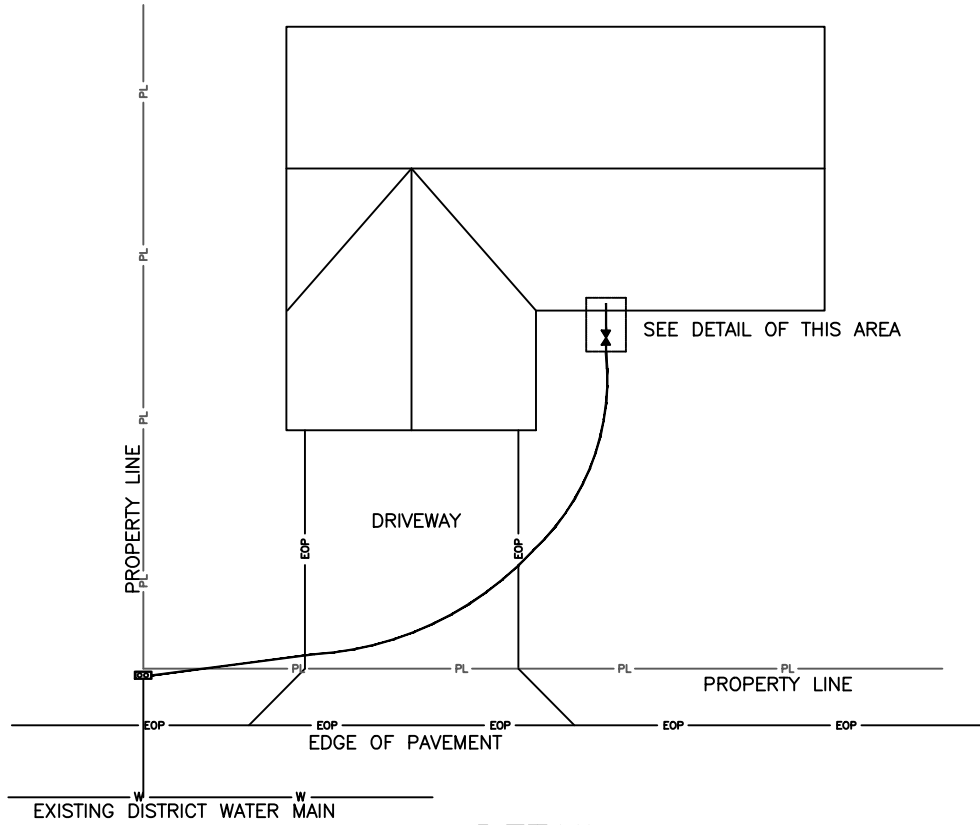
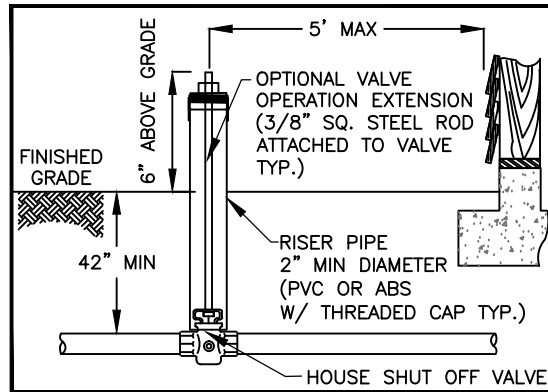


PLAN VIEW



DETAIL



NOTES:

- 1) SHUT OFF VALVE OUTSIDE THE FOUNDATION IN AN ALWAYS ACCESSIBLE LOCATION.
- 2) VALVE MUST BE CONSTRUCTED OF BRASS WITH NON-CORROSIVE WORKING PARTS.
- 3) VALVE MUST HAVE ONE QUARTER (1/4) TURN ON/OFF CAPABILITY.

HOUSE SHUT OFF VALVE 3/4" TO 2"

A
1

NO SCALE

DATE: JUL 2016
 SCALE: NO SCALE
 DRAWN: MAM
 FILE: STANDARDS
 SHEET: S4-D2

WATER SHUT OFF & ABANDONMENT DETAILS



SOUTH TAHOE PUBLIC UTILITY DISTRICT

Sewer . 1950 . Water A PUBLIC AGENCY
 1275 Meadow Crest Drive South Lake Tahoe, California 96150
 Phone (530) 544-6474 Fax (530) 541-4319
 WWW.STPUD.US